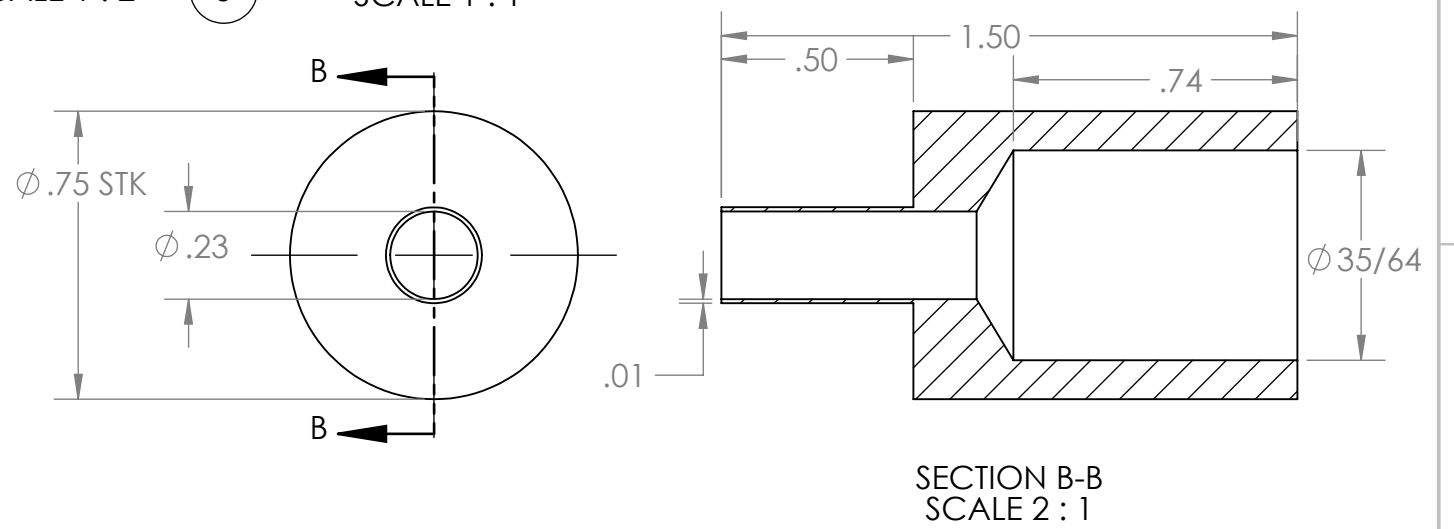
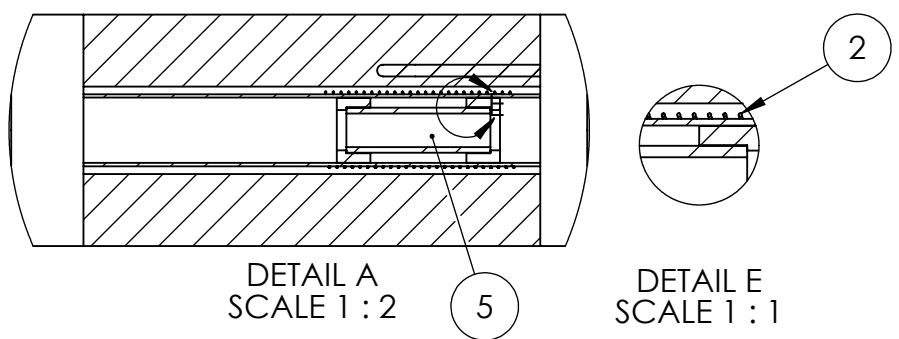


-100 ERH2 System Assy.



-101 3/4 - 1/4 Reducer

ITEM NO.	PART NUMBER	SUPPLIER	DESCRIPTION	MATERIAL	STOCK	QTY.
1	-100		ERH2 System Assy.			
2	Nichrome Wire Coil			Insulated Nichrome	10' Wire	1
3	3856K911	MCMaster-CARR	Bendable Thermocouple Probe			1
4	ME440-S23-01-ERH2-2-200		Electrolyzer			1
5	ME440-S23-01-ERH2-3-300		Storage Capsule			
6	361K32	MCMaster-CARR	Barbed Hose Fitting			1
7	44555K162	MCMaster-CARR	Brass Low-Pressure Barbed Tube Fitting			2
8	-101		3/4 - 1/4 Reducer	304 Stainless Steel	3/4" Bar	2
9	5239K13	MCMaster-CARR	PTFE Semi-Clear Tubing	PTFE	25' Tube	4
10	1/4" NPT Coupler F-F					1
11	2798K21	MCMaster-CARR	Pressure Gauge			2
12	4537K24	MCMaster-CARR	3/4" Yor-Lok Valve			2
13	89895K757	MCMaster-CARR	3/4" OD 304 Stainless Steel Tubing		3' Tube	1
14	4057K3	MCMaster-CARR	Ceramic Fiber Pipe Insulation			1

PROPRIETARY AND CONFIDENTIAL
 THE INFORMATION CONTAINED IN THIS DRAWING IS THE SOLE PROPERTY OF EMBRY-RIDDLE. ANY REPRODUCTION IN PART OR AS A WHOLE WITHOUT THE WRITTEN PERMISSION OF EMBRY-RIDDLE IS PROHIBITED.

UNLESS OTHERWISE SPECIFIED:		NAME	DATE
DIMENSIONS ARE IN INCHES	DRAWN		
TOLERANCES:	CHECKED		
FRACTIONAL $\pm 1/16$	ENG APPR.		
ANGULAR: MACH $\pm .5^\circ$ BEND $\pm 1^\circ$	MFG APPR.		
TWO PLACE DECIMAL $\pm .010$	Q.A.		
THREE PLACE DECIMAL $\pm .005$	COMMENTS:		
INTERPRET GEOMETRIC TOLERANCING PER:			
MATERIAL			
FINISH			
DO NOT SCALE DRAWING			

EMBRY-RIDDLE
 Aeronautical University
 PRESCOTT, ARIZONA

TITLE:
ERH2 SYSTEM

SIZE	DWG. NO.	REV
B	ME440-S23-01-ERH2-1	N/C

SCALE: 1:8 WEIGHT: SHEET 1 OF 1

4

3

2

1

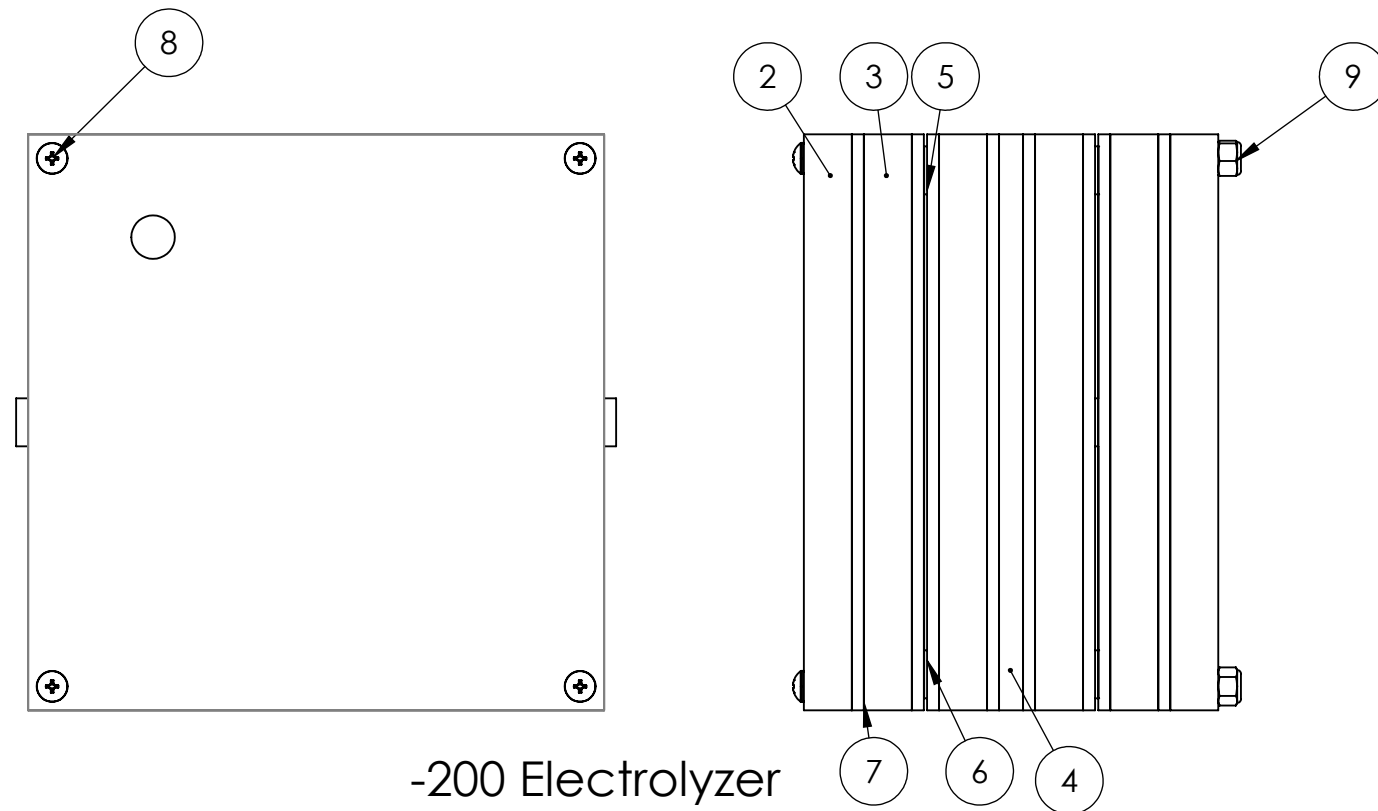
ITEM NO.	PART NUMBER	SUPPLIER	DESCRIPTION	Material	Stock	QTY.
1	-200		Electrolyzer			1
2	-201		Walls	Polycarbonate	1/2" Sheet	2
3	-202		Space	Polycarbonate	1/2" Sheet	4
4	-203		Stalactites	Polycarbonate	1/2" Sheet	1
5	-204		Copper Bus	Copper	$\pi*10^{\wedge}2$	2
6	-205		Mesh	Nickel 400	200x200 Mesh	2
7	-206		Rubber Gasket	Rubber	1/2" Butyl Rubber	8
8	90272A363	MCMaster-CARR	8-32 4.75" Pan Head Phillips Screw			4
9	90631A009	MCMaster-CARR	8-32 Steel Nylon Locknut			4

B

B


A

A



-200 Electrolyzer

PROPRIETARY AND CONFIDENTIAL
 THE INFORMATION CONTAINED IN THIS DRAWING IS THE SOLE PROPERTY OF EMBRY-RIDDLE. ANY REPRODUCTION IN PART OR AS A WHOLE WITHOUT THE WRITTEN PERMISSION OF EMBRY-RIDDLE IS PROHIBITED.

UNLESS OTHERWISE SPECIFIED:		NAME	DATE	 EMBRY-RIDDLE Aeronautical University PRESCOTT, ARIZONA
DIMENSIONS ARE IN INCHES		DRAWN		
TOLERANCES:		CHECKED		
FRACTIONAL $\pm 1/16$		ENG APPR.		
ANGULAR: MACH $\pm .5^\circ$ BEND $\pm 1^\circ$		MFG APPR.		
TWO PLACE DECIMAL $\pm .010$		Q.A.		
THREE PLACE DECIMAL $\pm .005$		COMMENTS:		
INTERPRET GEOMETRIC TOLERANCING PER:				
MATERIAL				
FINISH				
DO NOT SCALE DRAWING				
TITLE:		ERH2 Electrolyzer		
SIZE	DWG. NO.	REV		
B	ME440-S23-01-ERH2-2	N/C		
SCALE: 1:2		WEIGHT:	SHEET 1 OF 3	

4

3

2

1

4

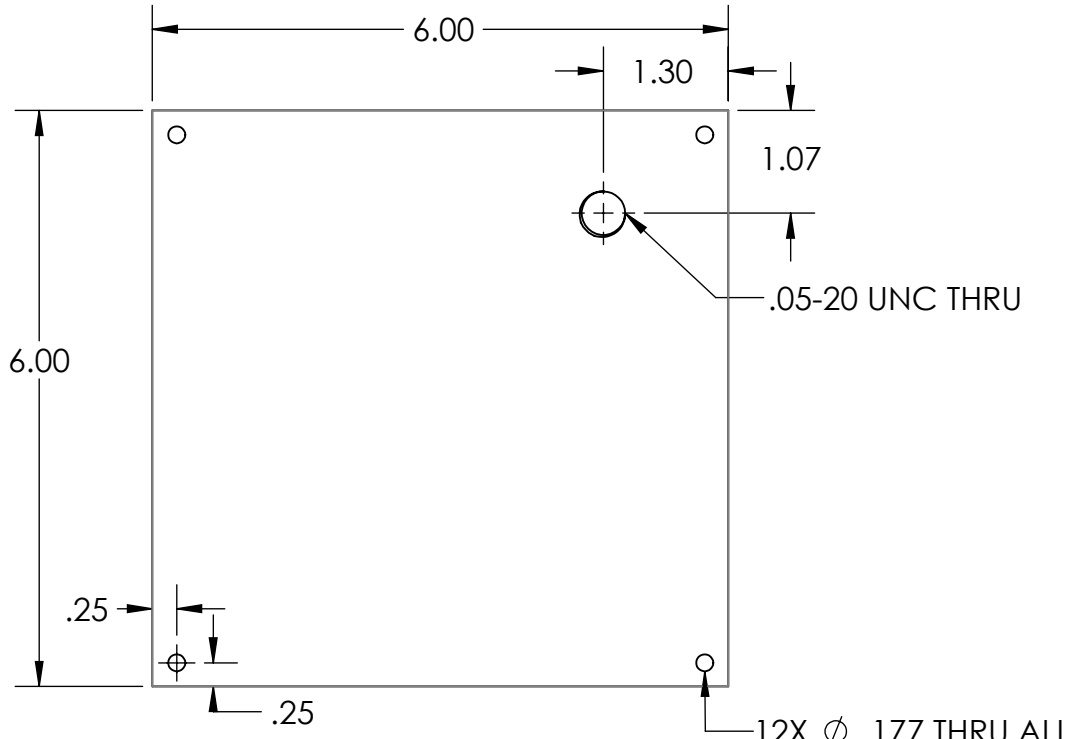
3

2

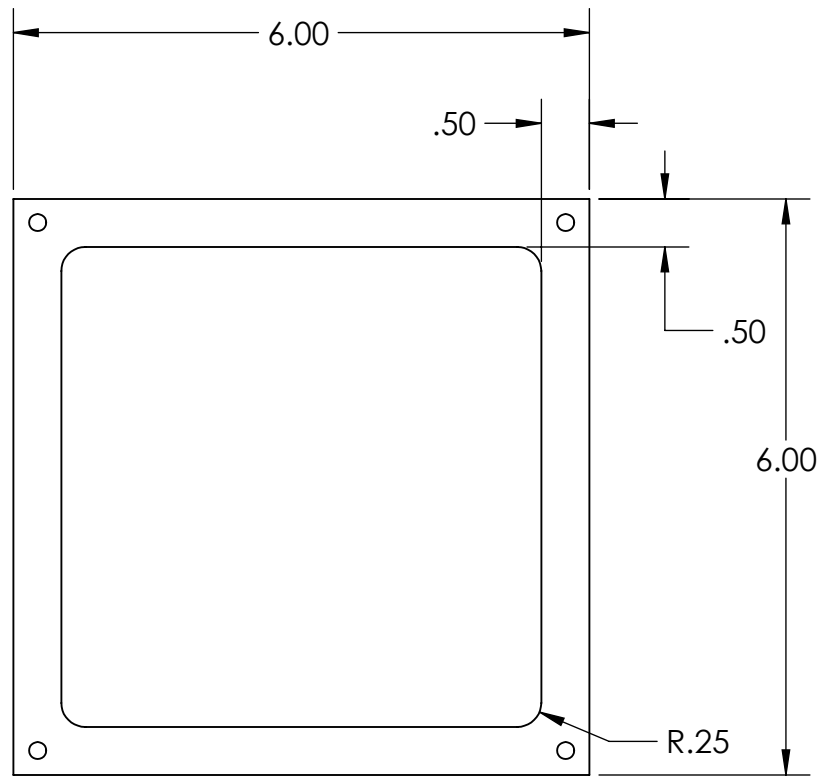
1

B

B



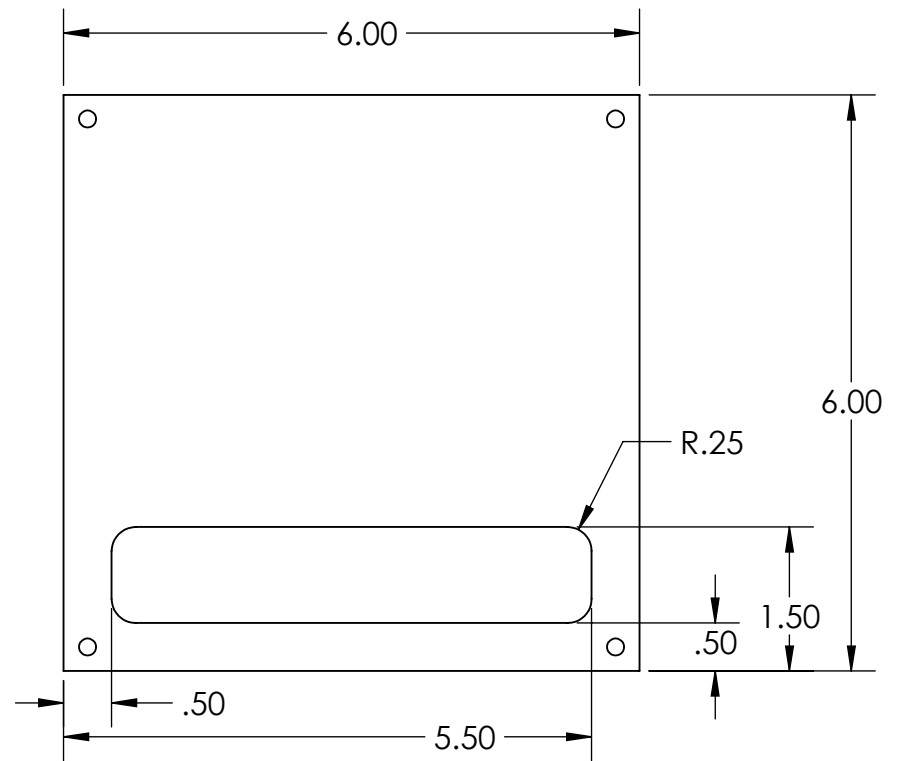
-201 Walls



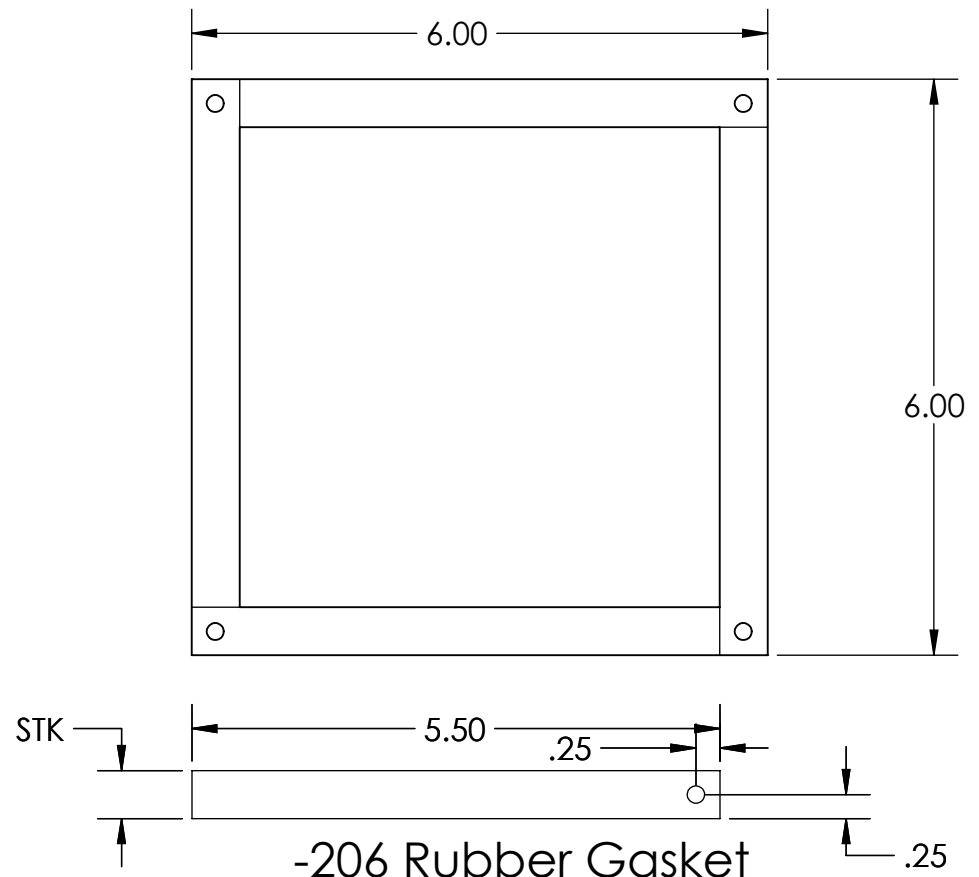
-202 Space

A

A



-203 Stalagtight



-206 Rubber Gasket

PROPRIETARY AND CONFIDENTIAL
 THE INFORMATION CONTAINED IN THIS DRAWING IS THE SOLE PROPERTY OF EMBRY-RIDDLE. ANY REPRODUCTION IN PART OR AS A WHOLE WITHOUT THE WRITTEN PERMISSION OF EMBRY-RIDDLE IS PROHIBITED.

EMBRY-RIDDLE Aeronautical University. PRESCOTT, ARIZONA		
TITLE: ERH2 Electrolyzer		
SIZE B	DWG. NO. ME440-S23-01-ERH2-2	REV N/C
SCALE: 1:2	WEIGHT:	SHEET 2 OF 3

4

3

2

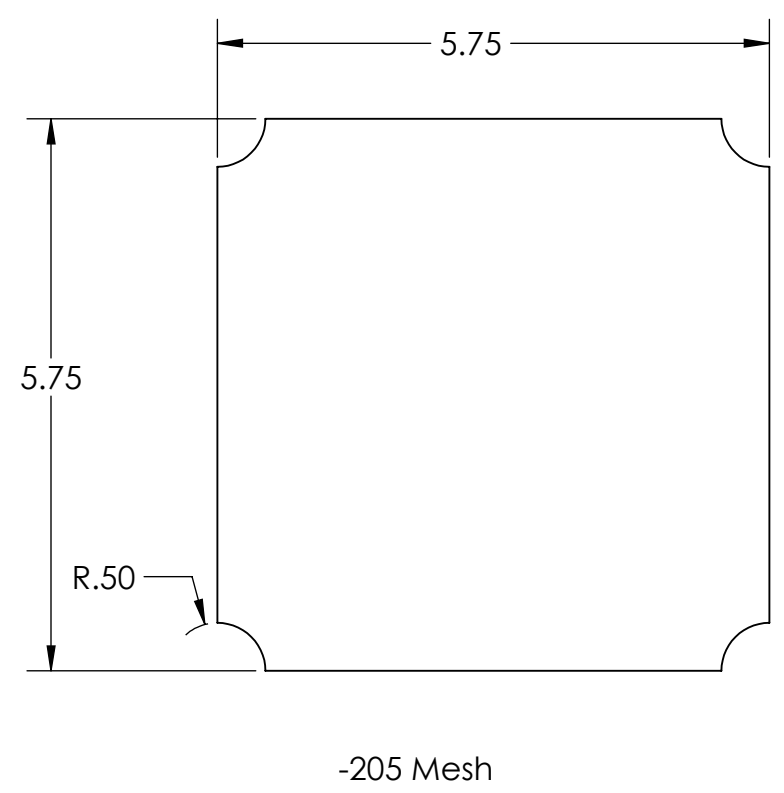
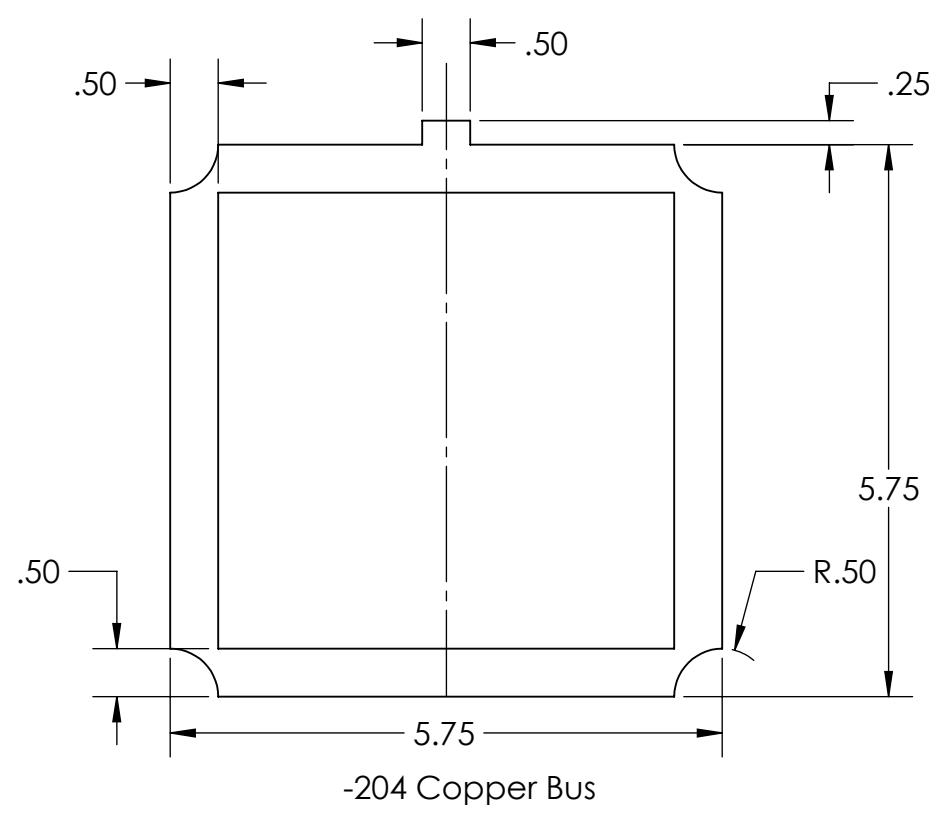
1

4

3

2

1



B

B

A

A

EMBRY-RIDDLE
Aeronautical University
PRESCOTT, ARIZONA

TITLE:
ERH2 Electrolyzer

PROPRIETARY AND CONFIDENTIAL
THE INFORMATION CONTAINED IN THIS DRAWING IS THE SOLE PROPERTY OF EMBRY-RIDDLE. ANY REPRODUCTION IN PART OR AS A WHOLE WITHOUT THE WRITTEN PERMISSION OF EMBRY-RIDDLE IS PROHIBITED.

SIZE B	DWG. NO. ME440-S23-01-ERH2-2	REV N/C
SCALE: 1:2	WEIGHT:	SHEET 3 OF 3

4

3

2

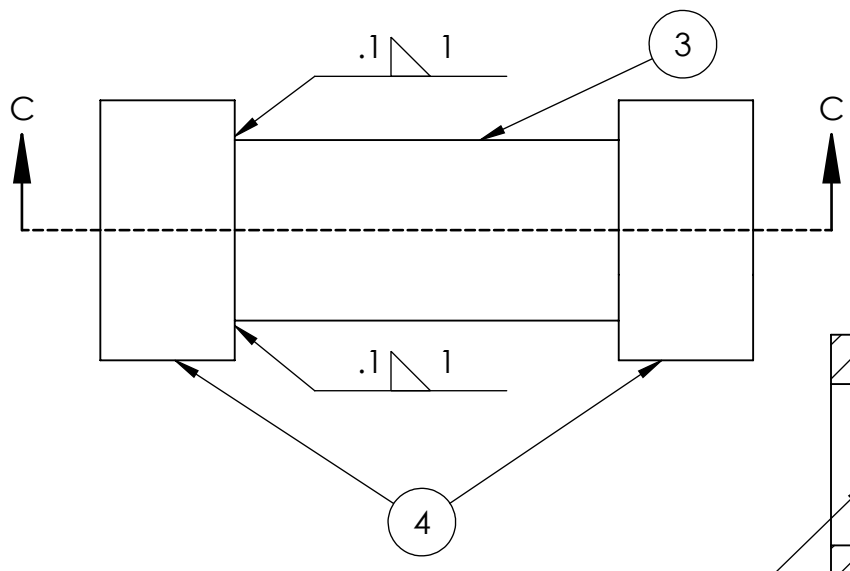
1

4

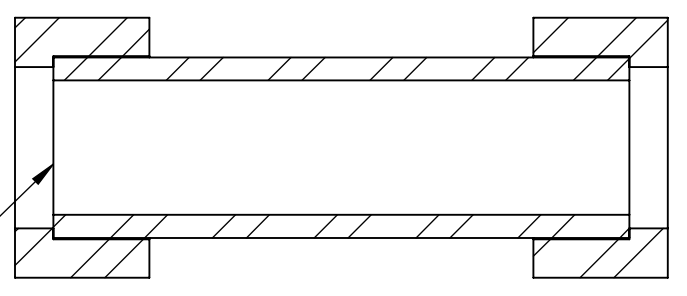
3

2

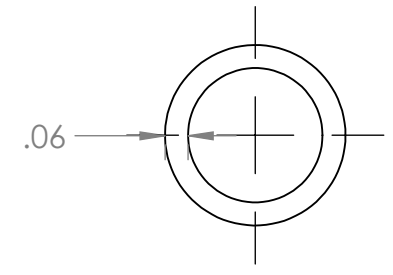
1



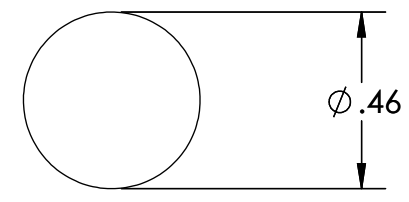
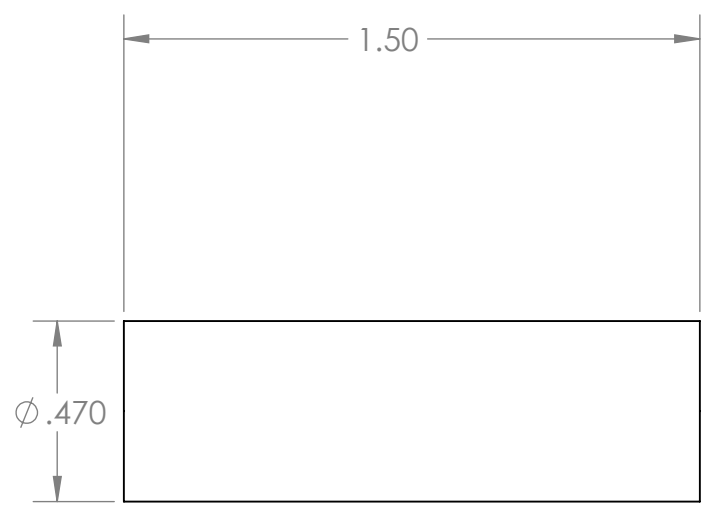
-300 STORAGE CAPSULE



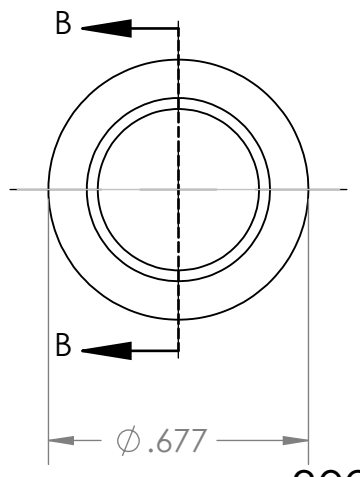
SECTION C-C



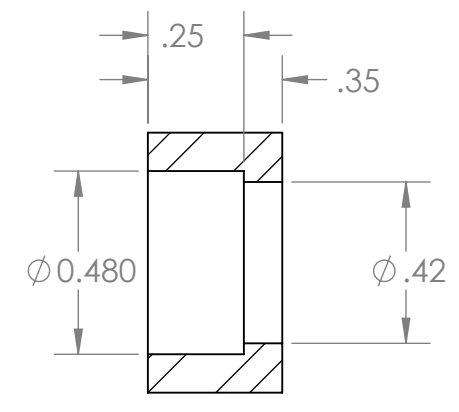
-301 CAPSULE BODY



-301 STORAGE CAPSULE



-302 CAPS



SECTION B-B

ITEM NO.	PART NUMBER	DESCRIPTION	MATERIAL	STOCK	QTY.
1	-300	STORAGE CAPSULE			
2	-301	1 Micron Mesh	Stainless Steel		2
3	Capsule Body		304 Stainless Steel	3/4" Bar	1
4	Caps		304 Stainless Steel	3/4" Bar	2

UNLESS OTHERWISE SPECIFIED:

DIMENSIONS ARE IN INCHES
 TOLERANCES:
 FRACTIONAL ± 1/16
 ANGULAR: MACH ± .5° BEND ± 1°
 TWO PLACE DECIMAL ± .010
 THREE PLACE DECIMAL ± .005

INTERPRET GEOMETRIC TOLERANCING PER:

MATERIAL

FINISH

DO NOT SCALE DRAWING

NAME	DATE
DRAWN	
CHECKED	
ENG APPR.	
MFG APPR.	
Q.A.	
COMMENTS:	

EMBRY-RIDDLE
 Aeronautical University
 PRESCOTT, ARIZONA

TITLE:

SIZE	DWG. NO.	REV
B	ME440-S23-01-ERH2-3	N/C

SCALE: 2:1 WEIGHT: SHEET 1 OF 1

PROPRIETARY AND CONFIDENTIAL
 THE INFORMATION CONTAINED IN THIS DRAWING IS THE SOLE PROPERTY OF EMBRY-RIDDLE. ANY REPRODUCTION IN PART OR AS A WHOLE WITHOUT THE WRITTEN PERMISSION OF EMBRY-RIDDLE IS PROHIBITED.

4

3

2

1

B

B

A

A